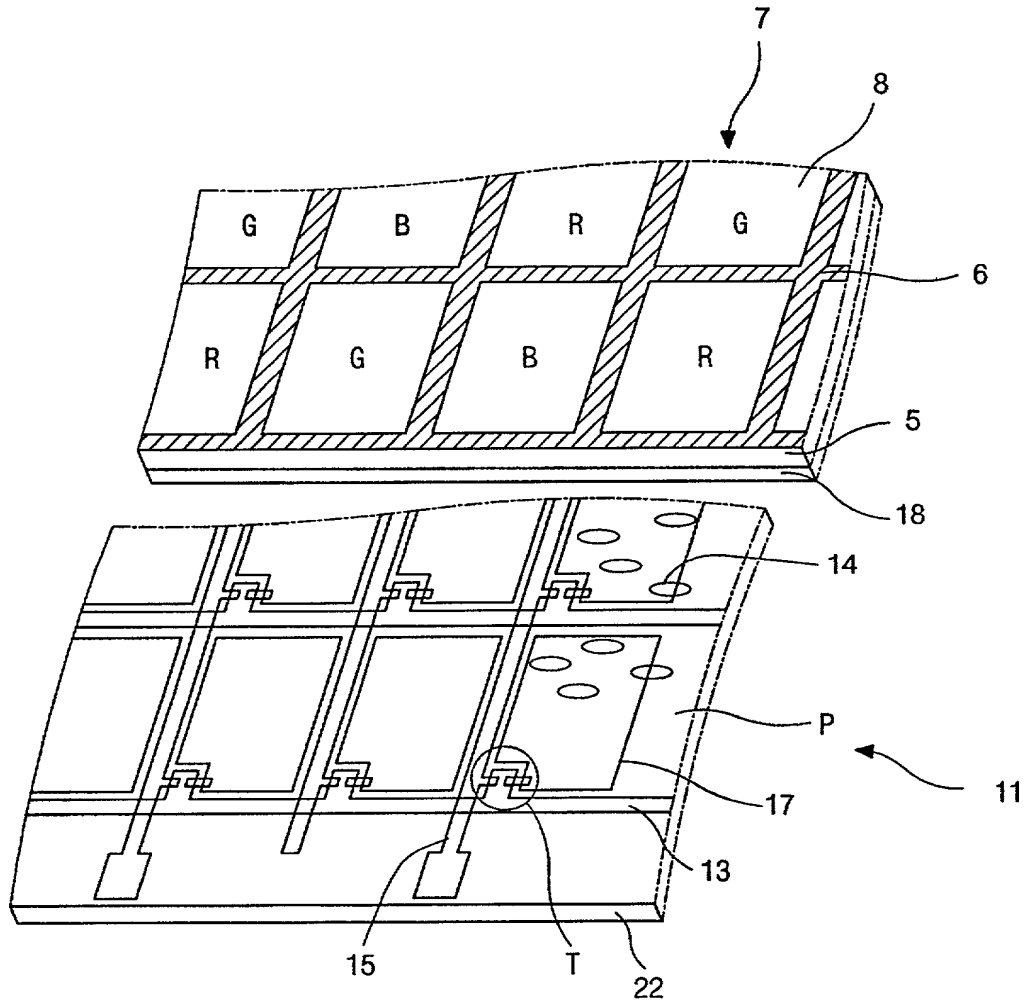
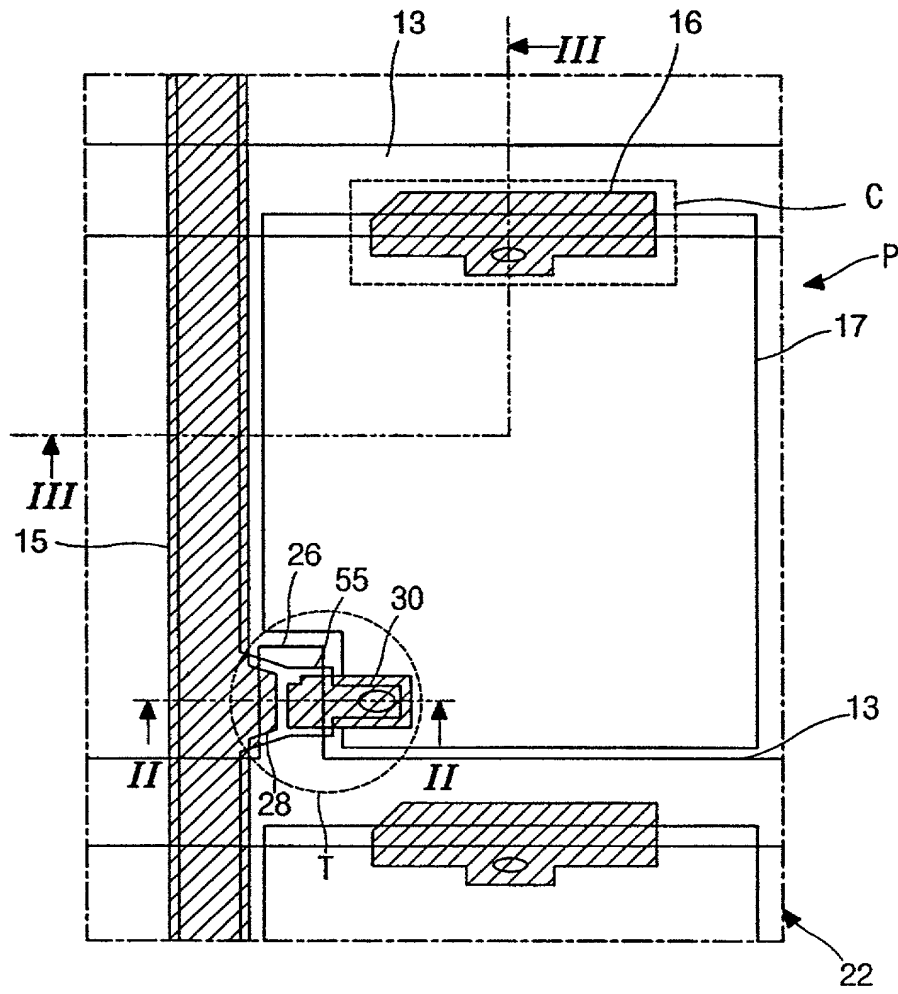


FIG. 1

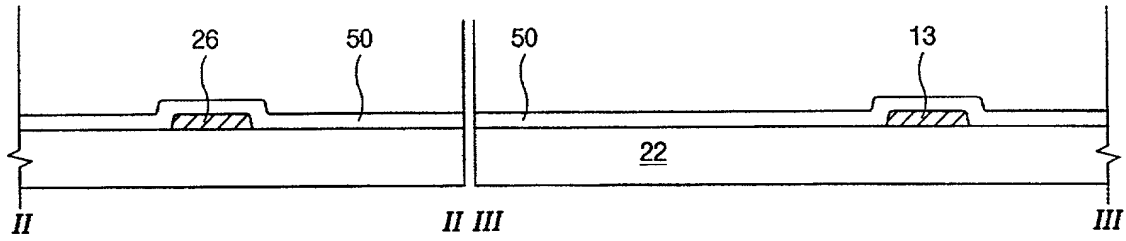


(related art)
FIG. 1

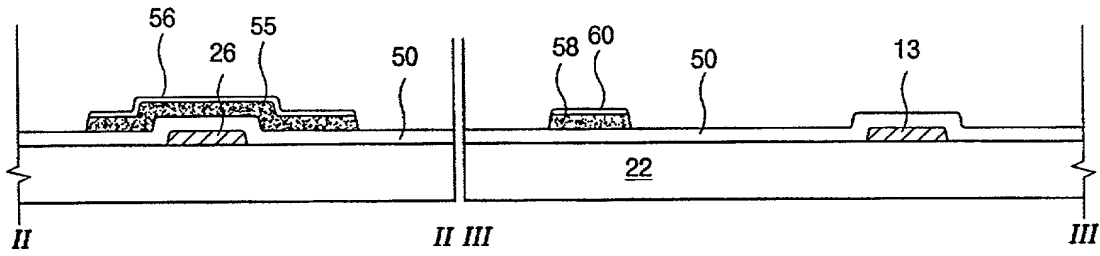
FIG. 2



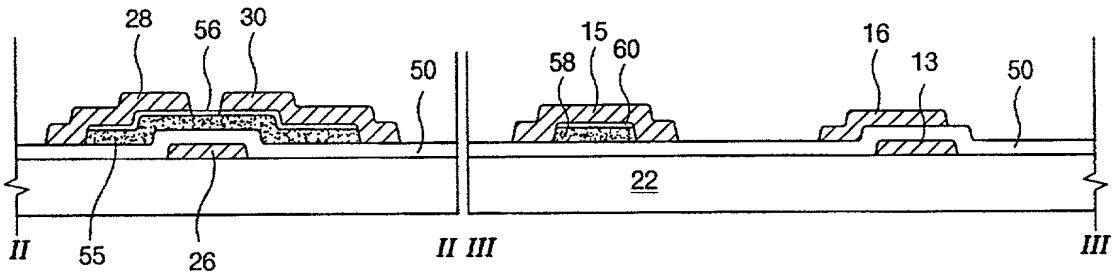
(related art)
FIG. 2



(related art)
FIG. 3A

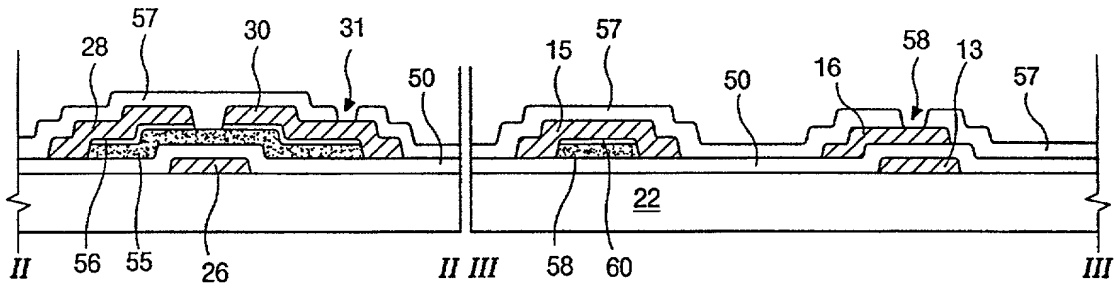


(related art)
FIG. 3B



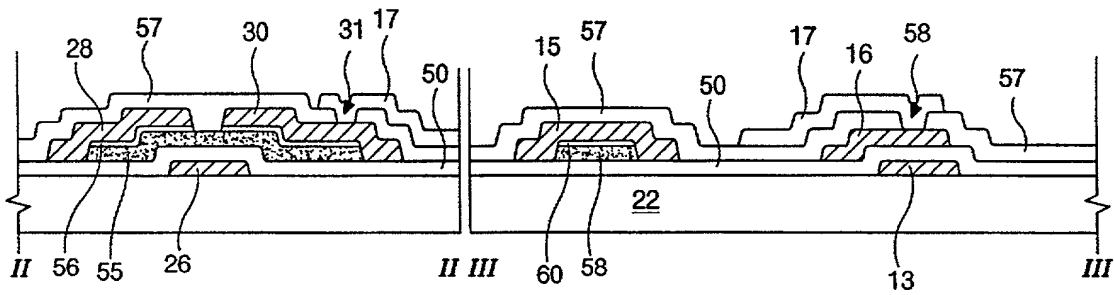
(related art)
FIG. 3C

PUBLISHED FOR THE PATENT OFFICE



(related art)

FIG. 3D



(related art)

FIG. 3E

FIG. 3D 2533660

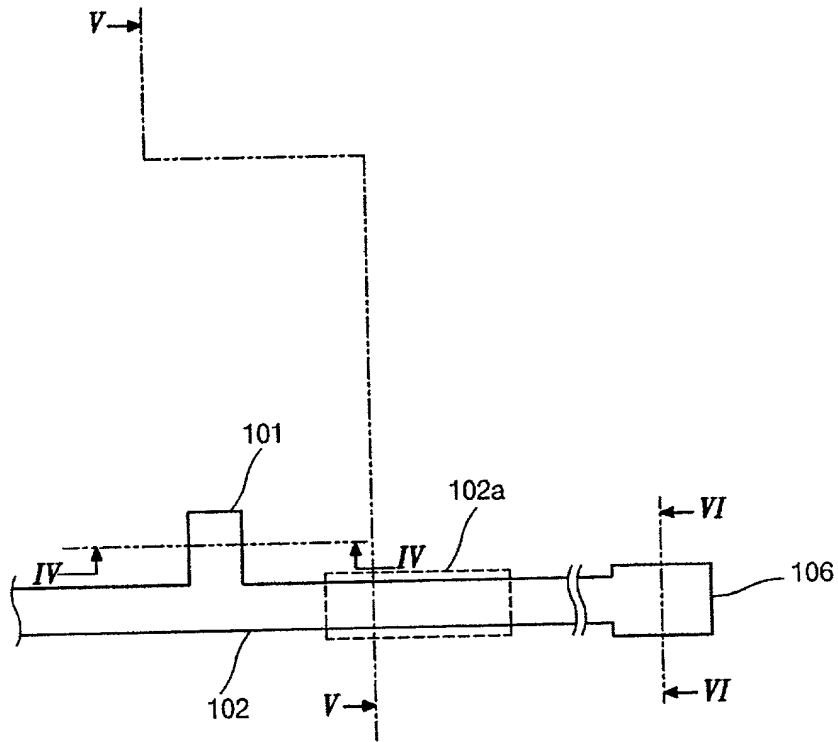


FIG. 5A

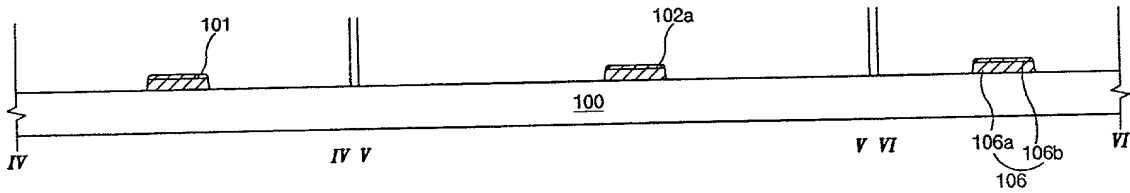


FIG. 5B

FIG. 6A

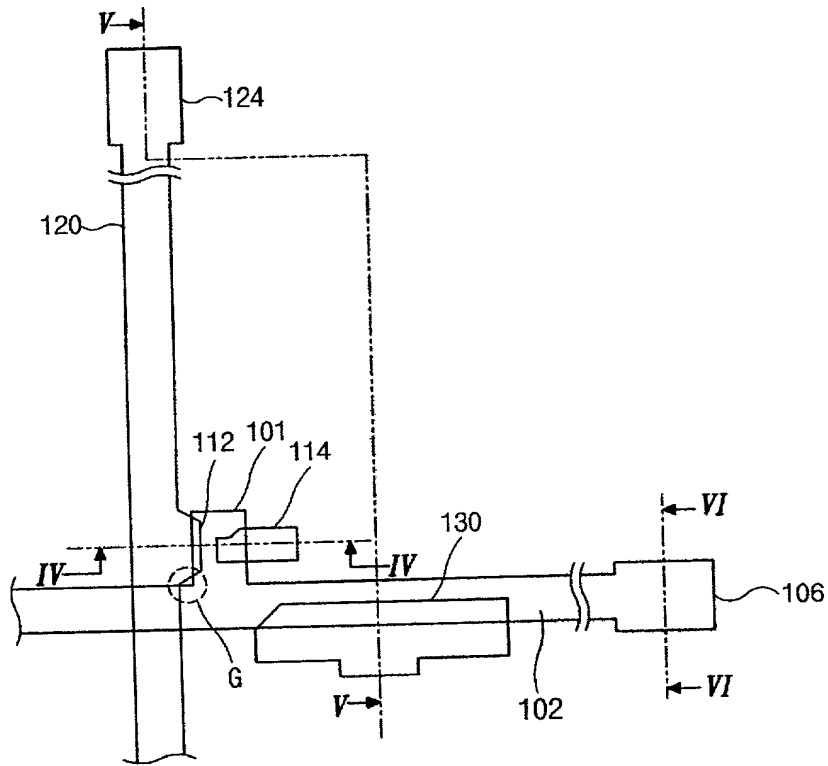


FIG. 6A

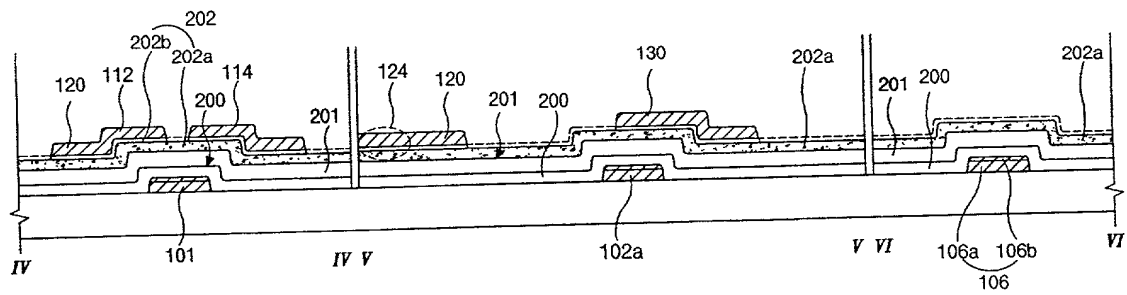


FIG. 6B

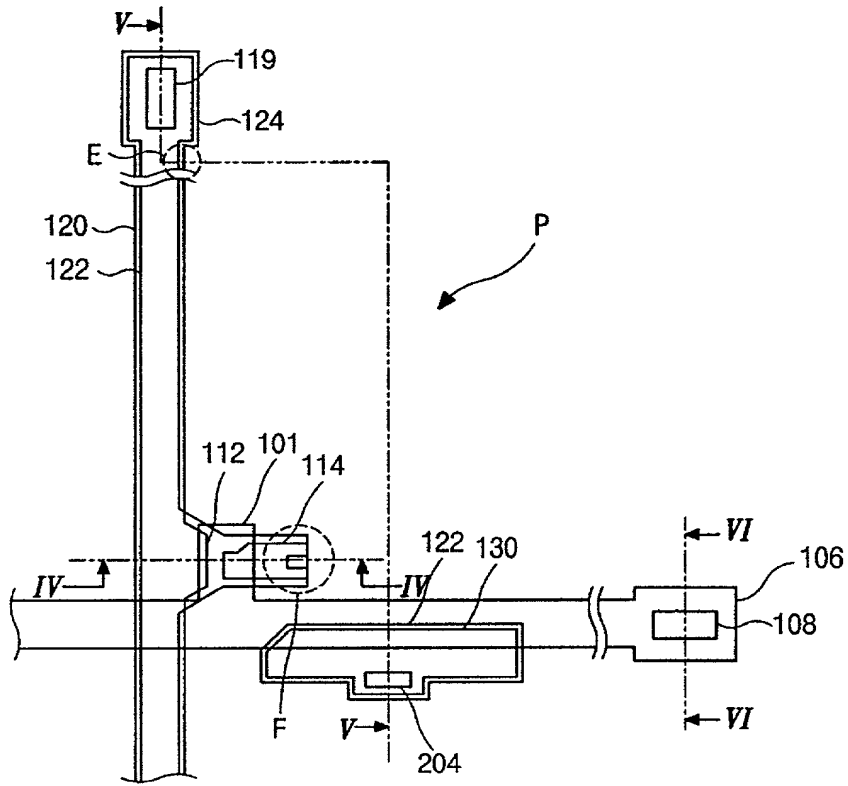


FIG. 7A

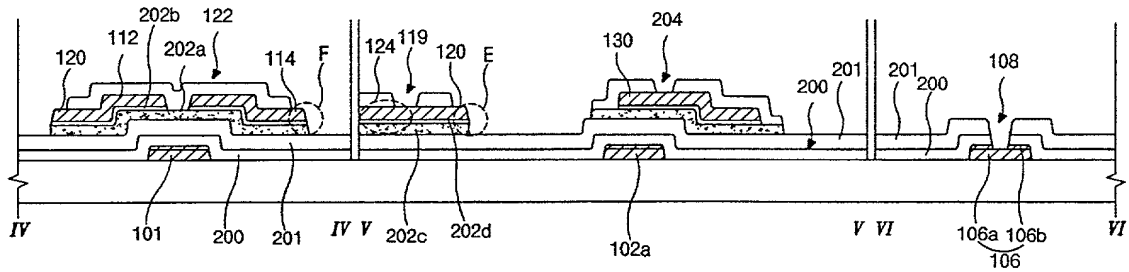


FIG. 7B

4939974

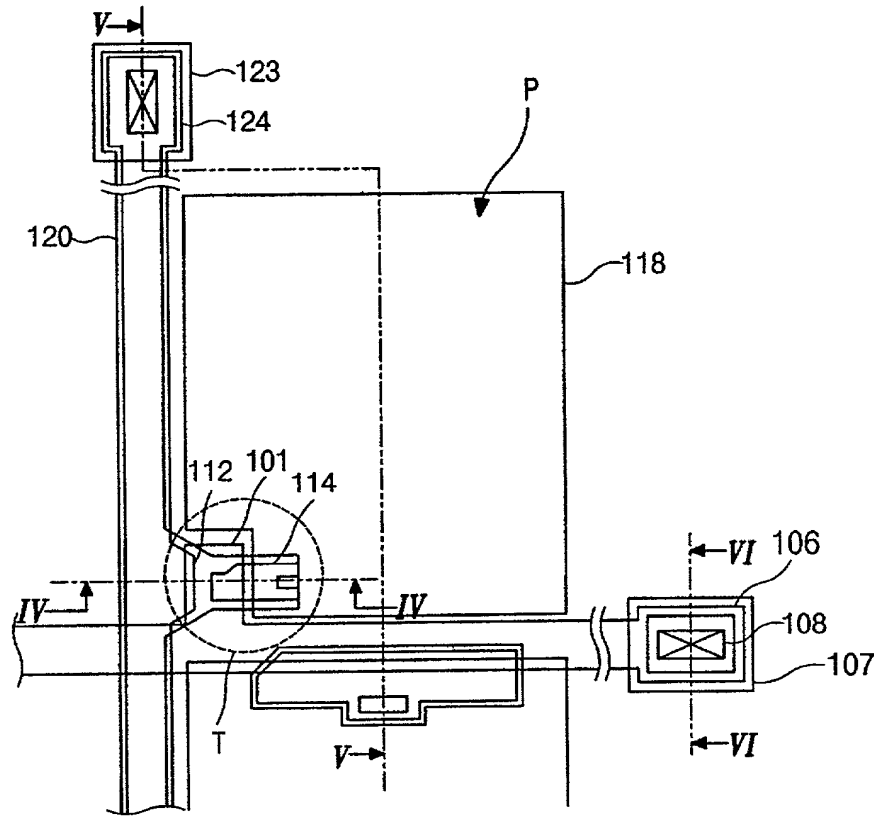


FIG. 8A

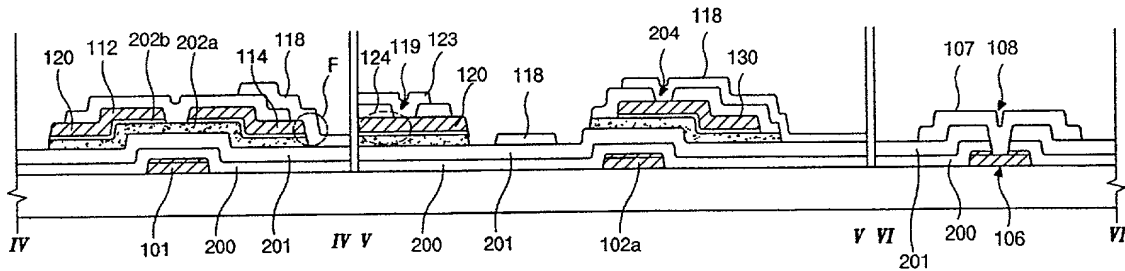


FIG. 8B

TOP SECRET 2558850

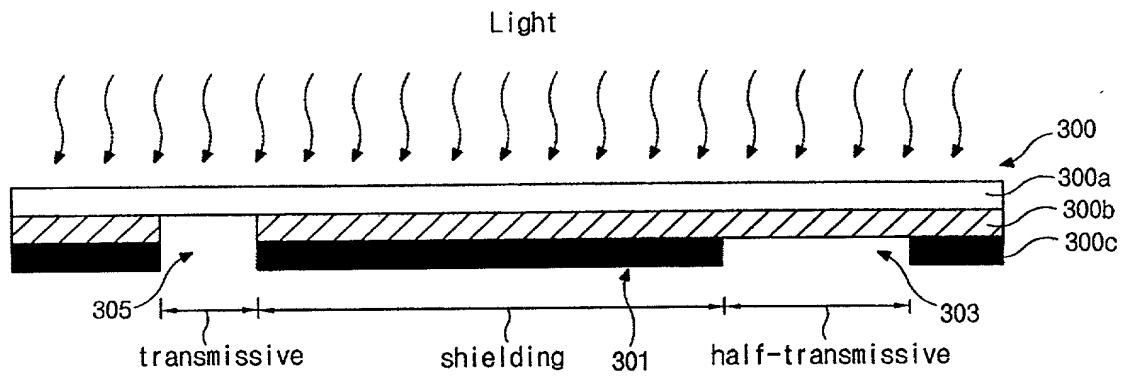


FIG. 9A

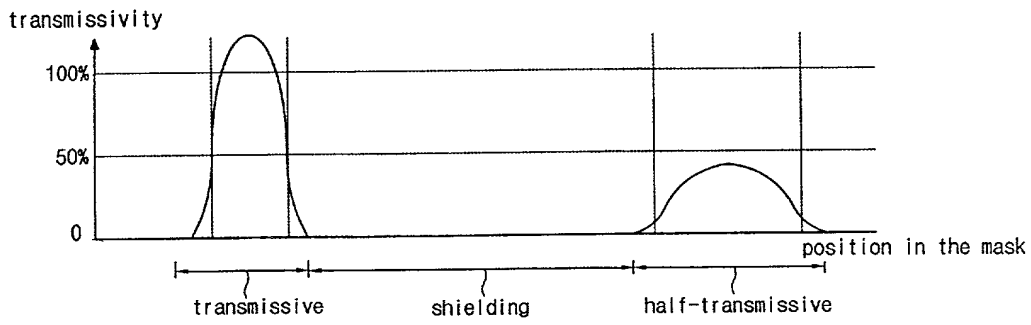


FIG. 9B

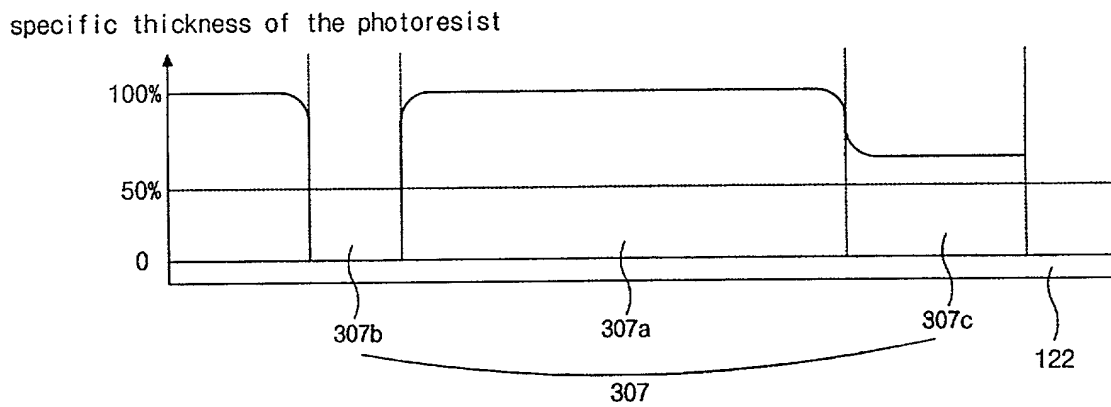


FIG. 9C

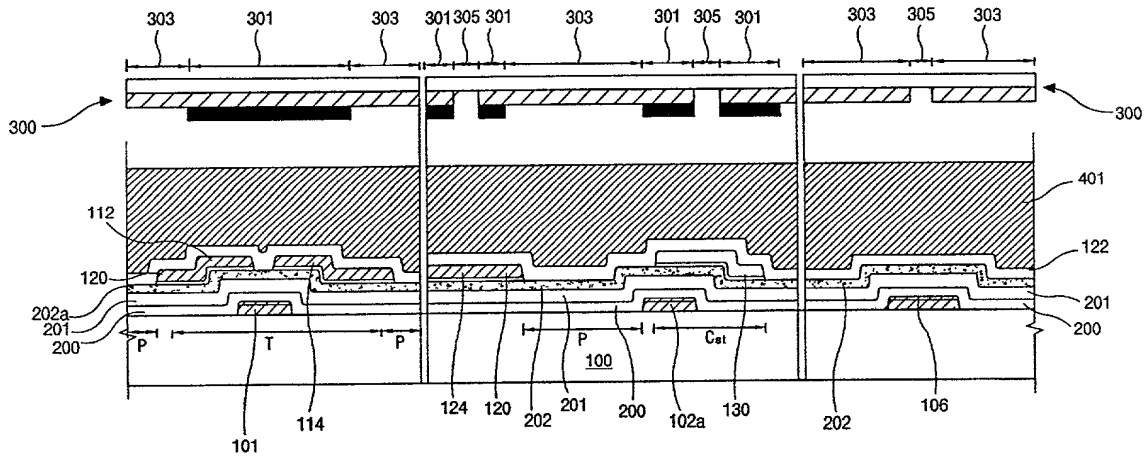


FIG. 10A

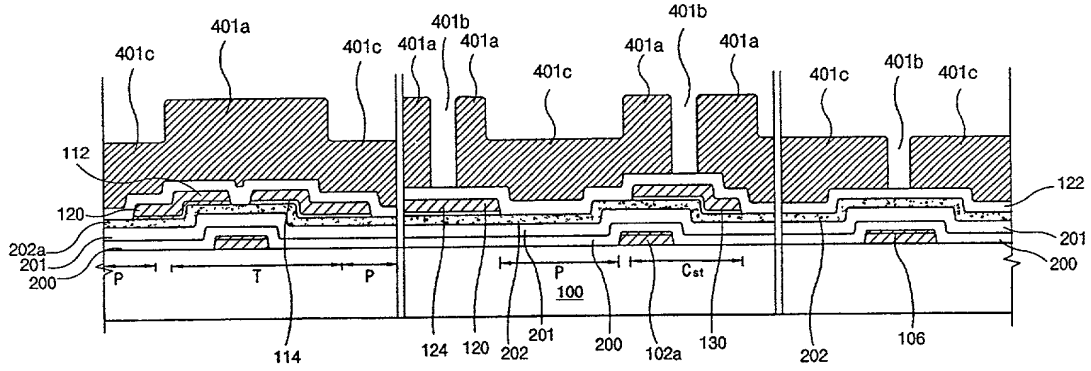


FIG. 10B

2025 RELEASE UNDER E.O. 14176